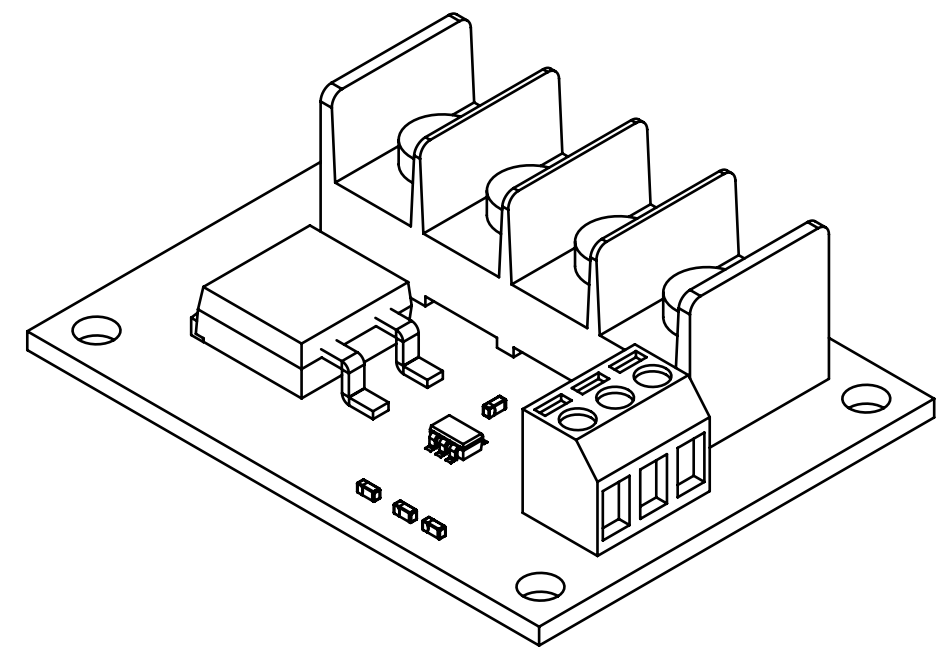
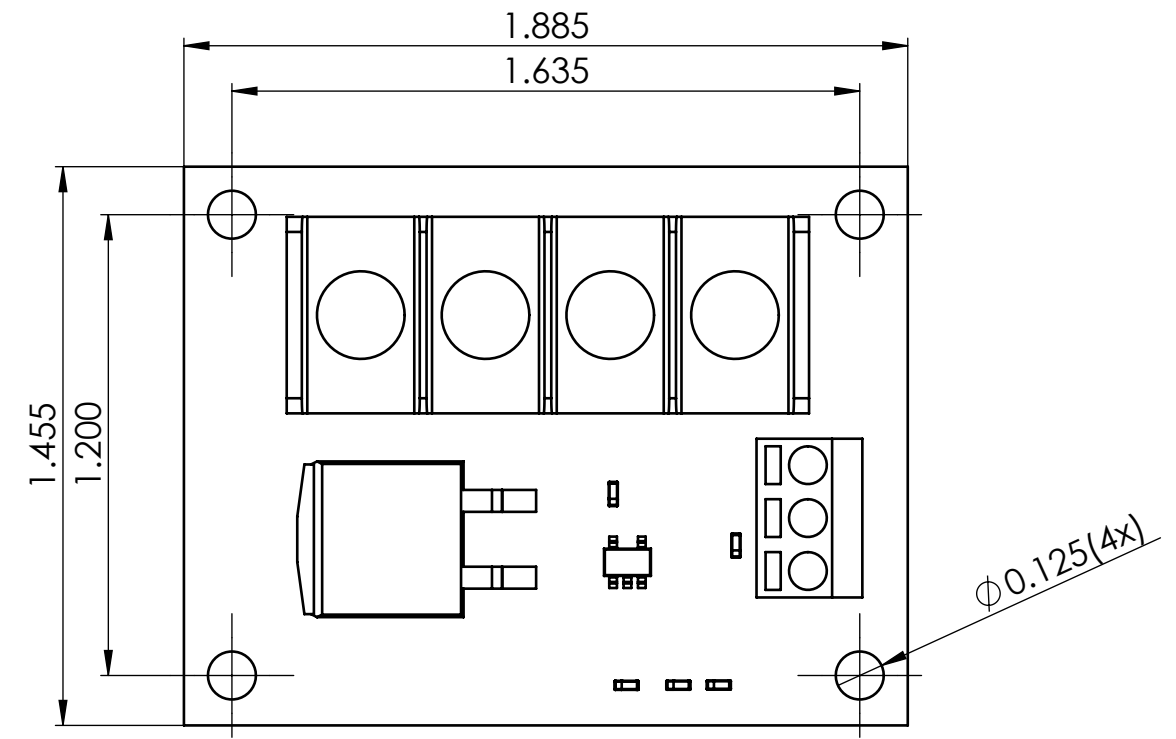
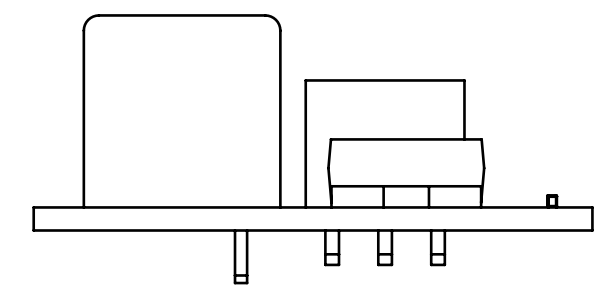
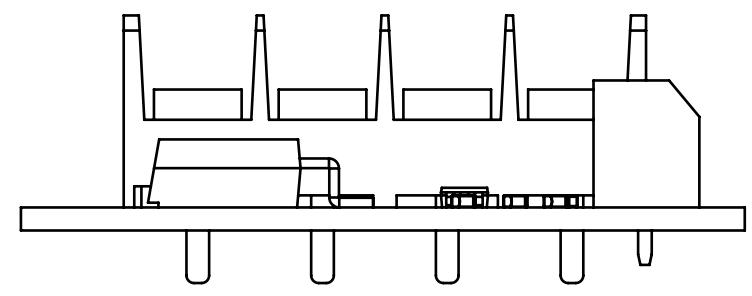
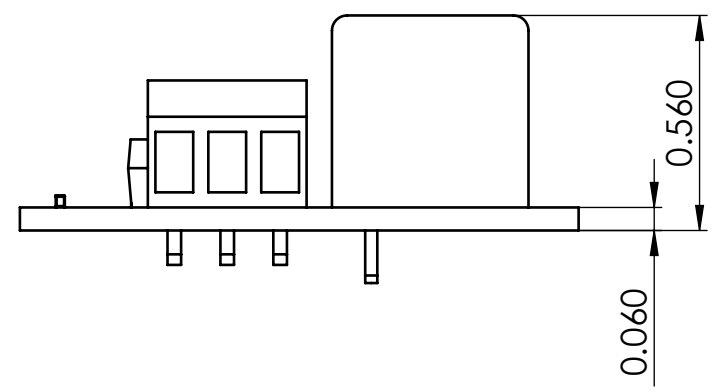



8 7 6 5 4 3 2 1

D
C
B
A

D
C
B
A



8 7 6 5 4 3 2 1

UNIT:	INCH[MM]	MATERIAL:		
TOLERANCES UNLESS OTHERWISE SPECIFIED		FINISH:		
ANGULAR:	± 1.0°	SCALE:	SHEET NO:	1 OF 1
DECIMAL .X	± 0.1	DRAWN BY:		DATE:
DECIMAL .XX	± 0.01	Minh		6-30-2015
DECIMAL .XXX	± 0.005	APPROVED BY:		DATE:
COMMERCIAL TOLERANCES SHALL APPLY ON BAR ROD, WIRE, SHEET, ETC.				PART NAME
				VCLAMP
				PART NO. VC-1000
				REV 6

THIS PRINT AND THE INFORMATION CONTAINED THEREIN ARE PROPERTY OF DALE KUBIN. ARE FURNISHED TO THE HOLDER IN CONFIDENCE AND ARE NOT TO BE REPRODUCED, USED OR DISCLOSED TO OTHERS WITHOUT THE EXPRESS WRITTEN PERMISSION OF DALE KUBIN.