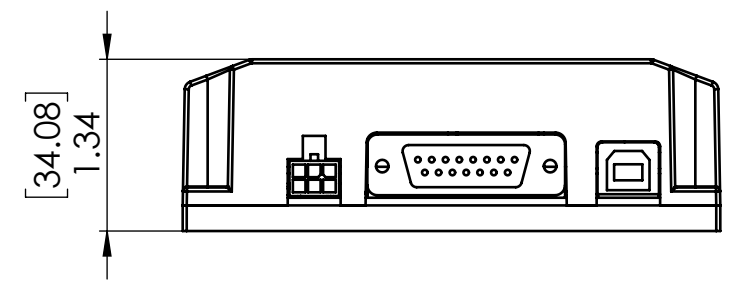
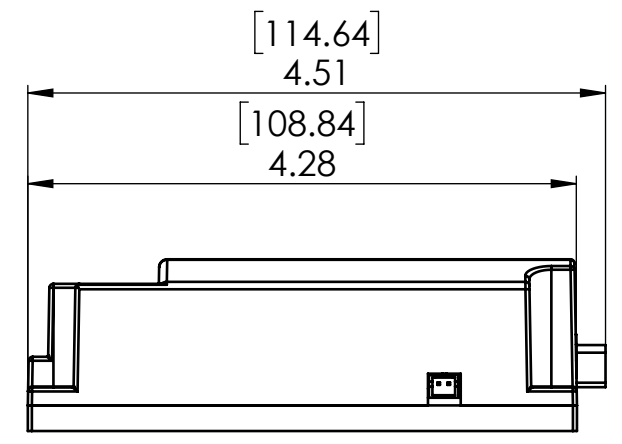
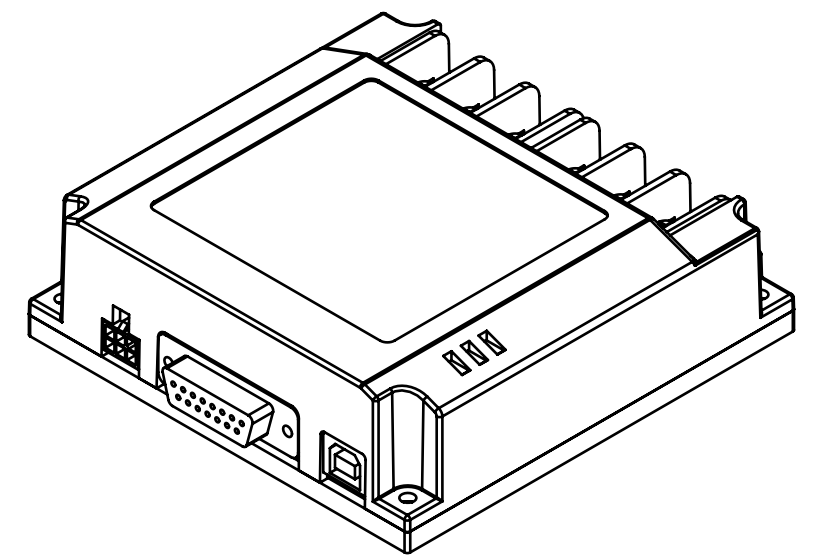
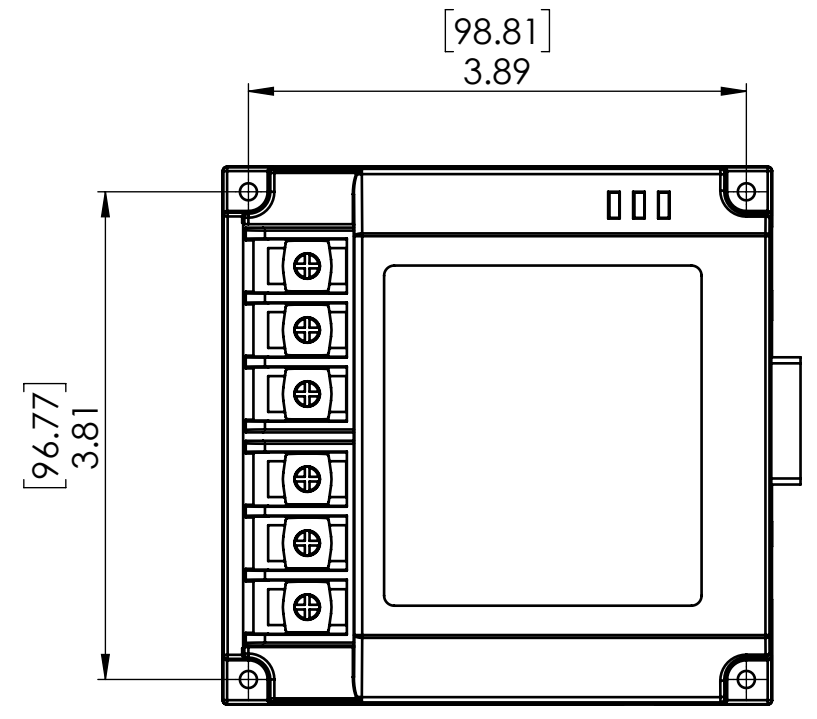
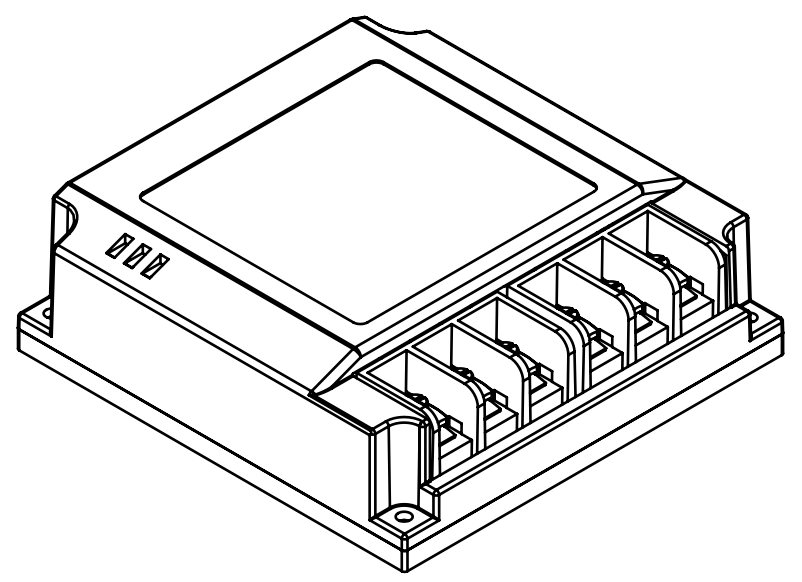



8 7 6 5 4 3 2 1

D
C
B
A

D
C
B
A



UNIT:	INCH[MM]	MATERIAL:		
TOLERANCES UNLESS OTHERWISE SPECIFIED		FINISH:		
ANGULAR:	± 1.0°	SCALE:	SHEET NO:	1 OF 1
DECIMAL .X	± 0.1	DRAWN BY:		DATE:
DECIMAL .XX	± 0.01	Minh		6-30-2015
DECIMAL .XXX	± 0.005	APPROVED BY:		DATE:
COMMERCIAL TOLERANCES SHALL APPLY ON BAR ROD, WIRE, SHEET, ETC.				PART NAME
				MCP26X
				PART NO. MCP260A
				REV 6

8 7 6 5 4 3 2 1