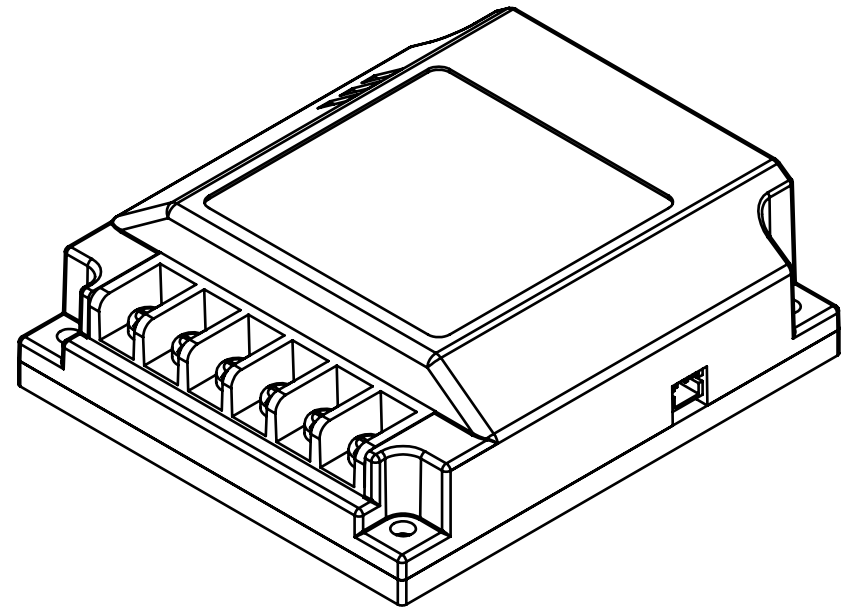
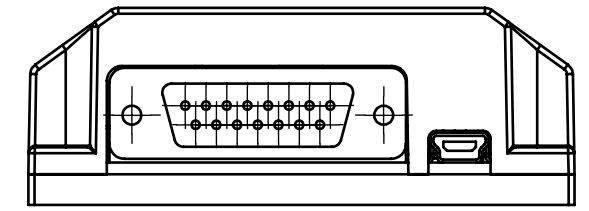
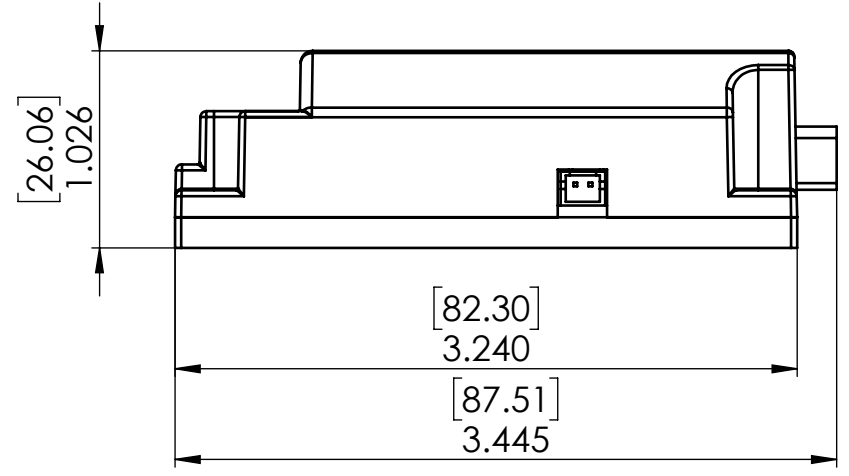
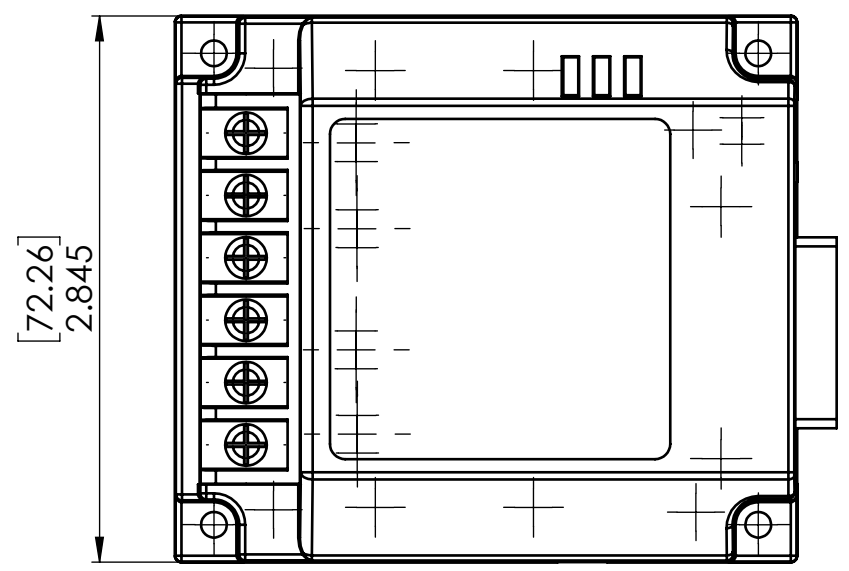
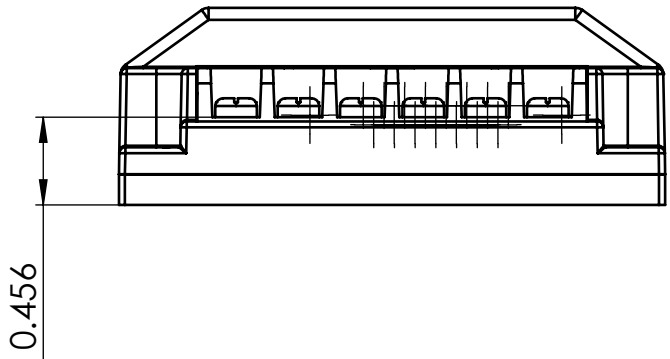



8 7 6 5 4 3 2 1

D
C
B
A



| | | | | | |
|---------------------------------------|----------|---|---|-----------|-----------|
| UNIT: | INCH[MM] | MATERIAL: |  | | |
| TOLERANCES UNLESS OTHERWISE SPECIFIED | | FINISH: | | | |
| ANGULAR: | ± 1.0° | SCALE: | 2:1 | SHEET NO: | 1 OF 1 |
| DECIMAL .X | ± 0.1 | DRAWN BY: | Vinh | DATE: | 6-30-2015 |
| DECIMAL .XX | ± 0.01 | APPROVED BY: | | DATE: | |
| DECIMAL .XXX | ± 0.005 | COMMERCIAL TOLERANCES SHALL APPLY ON BAR ROD, WIRE, SHEET, ETC. | | PART NAME | MCP23X |
| | | | | PART NO. | MC230A |
| | | | | REV | 6 |

8 7 6 5 4 3 2 1