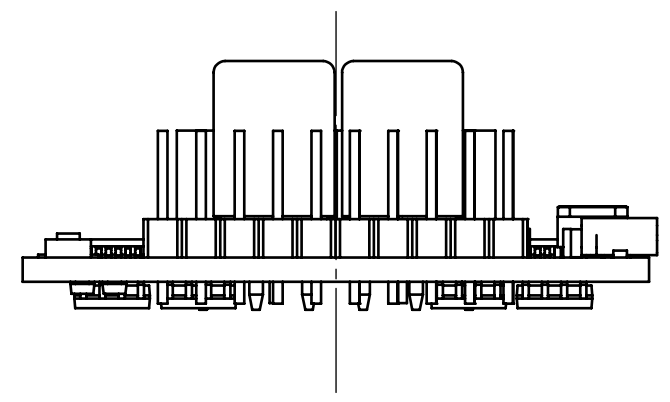
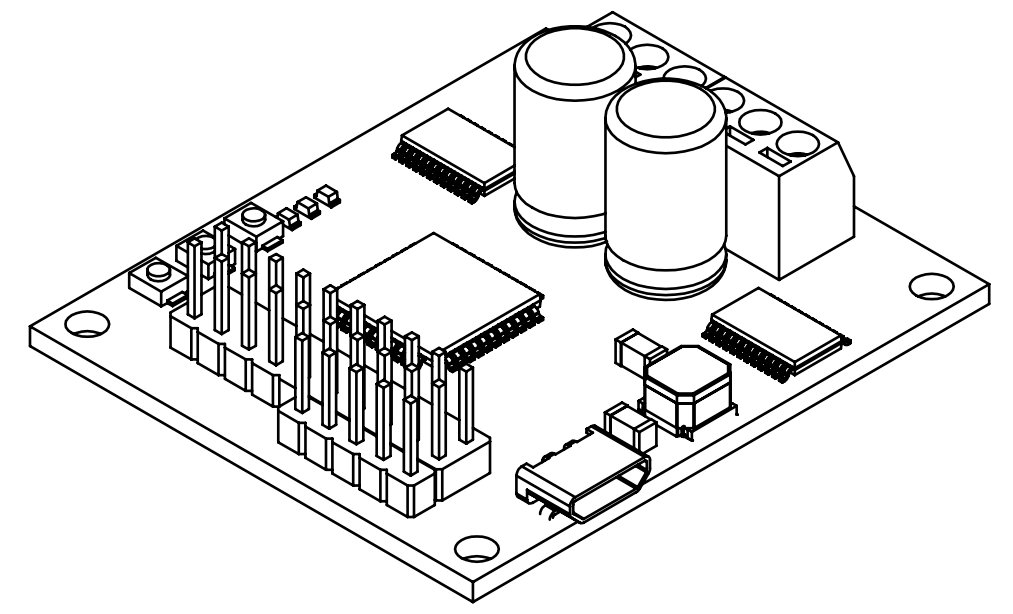
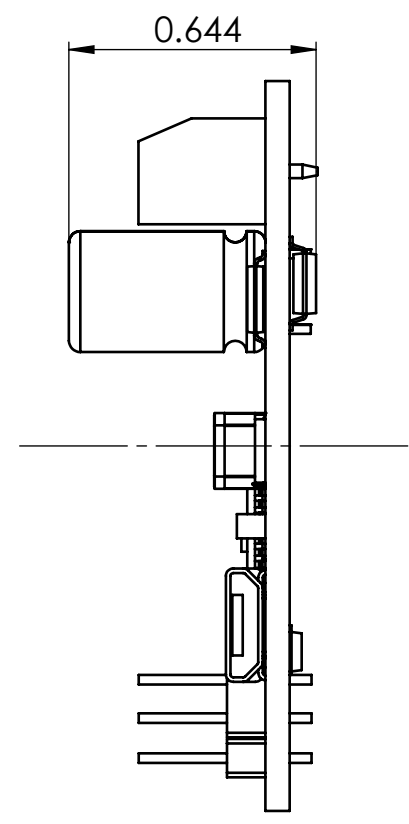
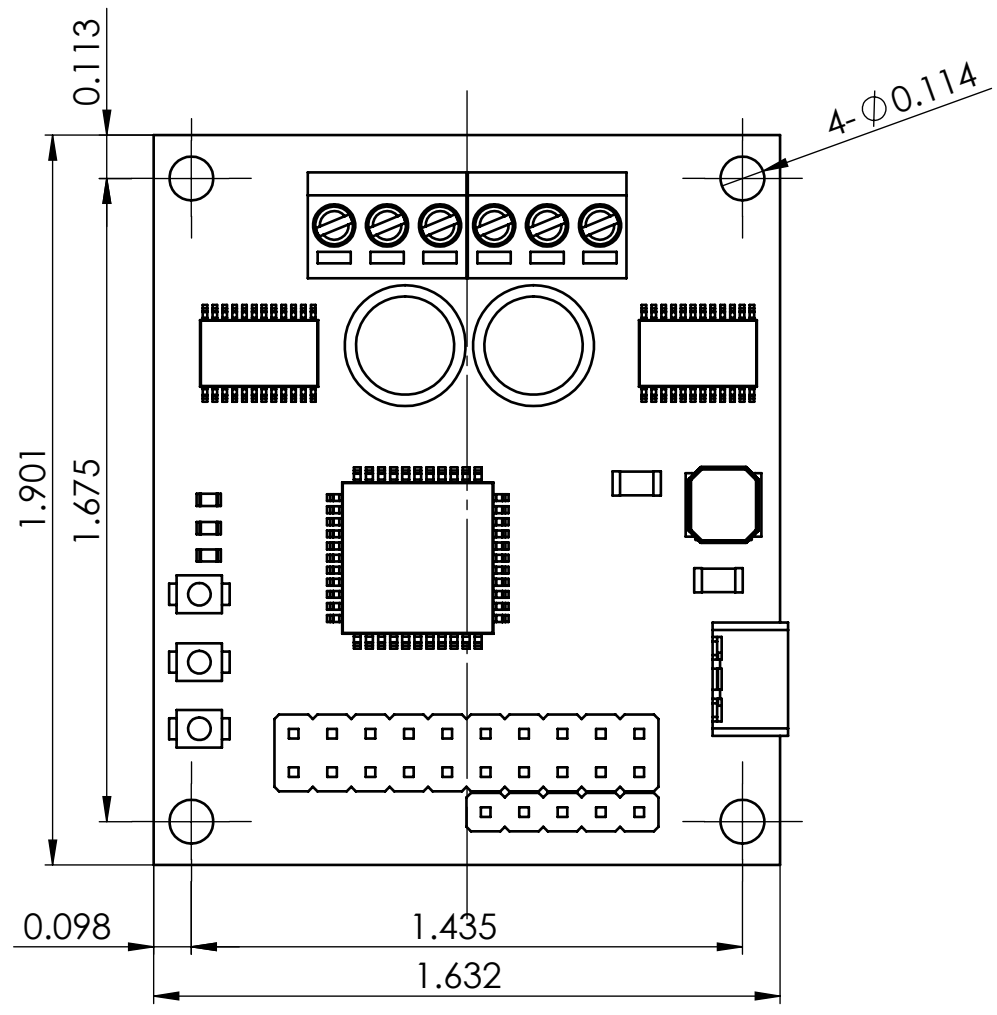



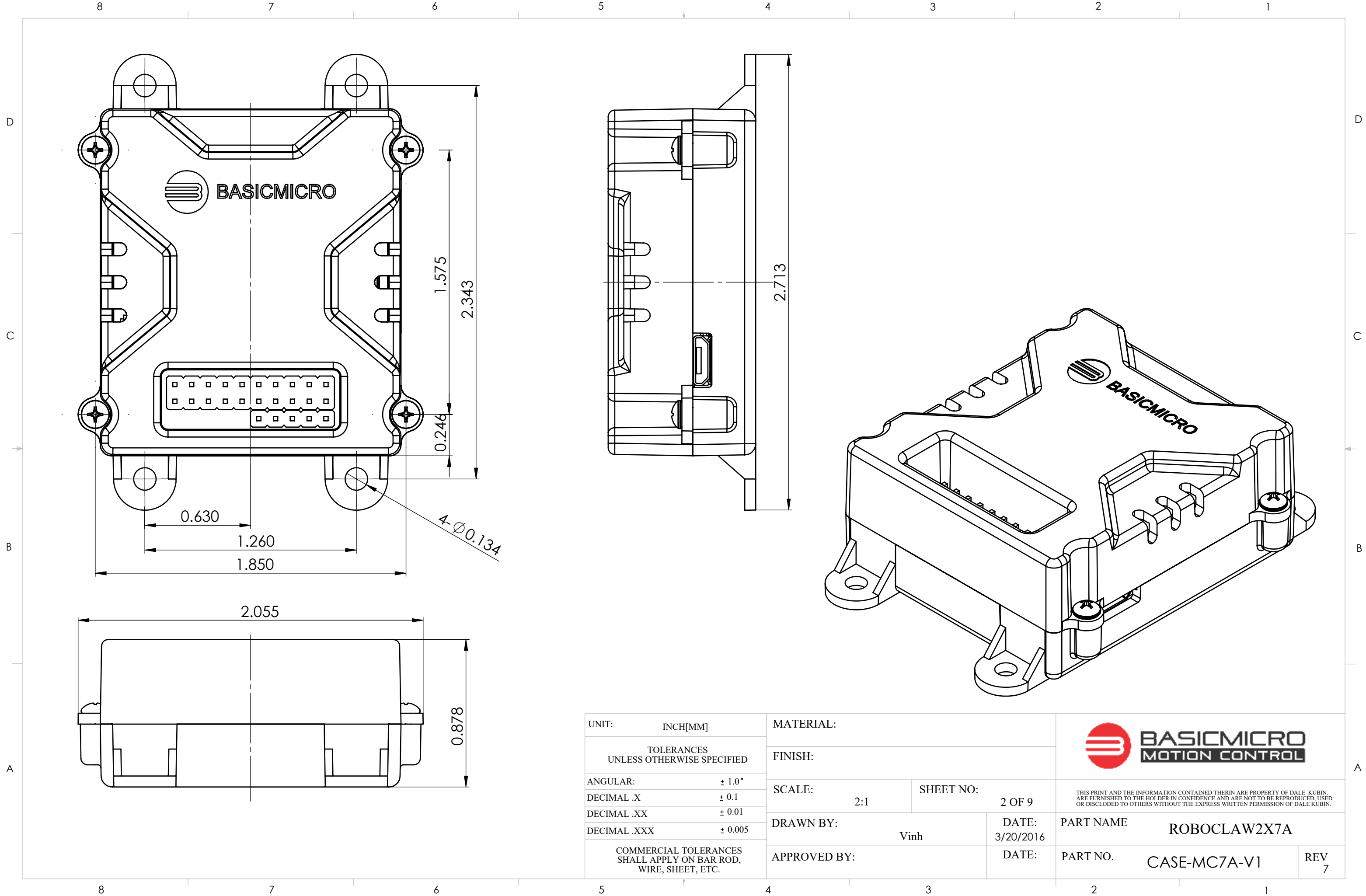
8 7 6 5 4 3 2 1


D  
C  
B  
A



UNIT:	INCH[MM]	MATERIAL:			
TOLERANCES UNLESS OTHERWISE SPECIFIED		FINISH:			
ANGULAR:	± 1.0°	SCALE:	2:1	SHEET NO:	1 OF 9
DECIMAL .X	± 0.1	DRAWN BY:		DATE:	11.9.2016
DECIMAL .XX	± 0.01	Vinh		PART NAME	
DECIMAL .XXX	± 0.005	APPROVED BY:		DATE:	11.9.2016
COMMERCIAL TOLERANCES SHALL APPLY ON BAR ROD, WIRE, SHEET, ETC.				PART NO.	MC7A-V5B
				REV	0

8 7 6 5 4 3 2 1



UNIT:	INCH[MM]	MATERIAL:							
TOLERANCES UNLESS OTHERWISE SPECIFIED		FINISH:							
ANGULAR:	± 1.0°	SCALE:	2:1	SHEET NO:	2 OF 9				
DECIMAL .X	± 0.1	DRAWN BY:		DATE:	3/20/2016				
DECIMAL .XX	± 0.01	Vinh		PART NAME		ROBOCLAW2X7A			
DECIMAL .XXX	± 0.005	APPROVED BY:		DATE:		PART NO.	CASE-MC7A-V1	REV	7
COMMERCIAL TOLERANCES SHALL APPLY ON BAR ROD, WIRE, SHEET, ETC.									



THIS PRINT AND THE INFORMATION CONTAINED THEREIN ARE PROPERTY OF DALE KUBIN. ARE FURNISHED TO THE HOLDER IN CONFIDENCE AND ARE NOT TO BE REPRODUCED, USED OR DISCLOSED TO OTHERS WITHOUT THE EXPRESS WRITTEN PERMISSION OF DALE KUBIN.